



Introduction

Strata 2 Planters are a premium range of cabinet planter boxes designed to be used on top of Strata 2 Tambour Door, Swing Door, Sliding Door, Lateral Drawer and Bookcase cabinets.

The planter boxes are provided complete with moulded ABS liners that provide both strong support and moisture protection. The Strata 2 Planters are designed to accept 200mm (8") pots as standard, with a maximum aperture of 230mm (9").

Strata 2 Planters are available with both plain and perforated fronts. Perforated planters come complete with sound absorbing acoustic panels as standard.

The planters consist of 3 nested components: a powdercoated steel tray with adjustable pot openings, waterproof ABS liner and powdercoated steel carcass.

Features

- Planters are provided as a complete assembled unit
- Pre-fitted clear rubber feet are secured to the underside of the planter box.
Feet assist in holding the planter in position whilst on the cabinet and prevent any scuffing of the cabinet top
- Plain or perforated designs available
- Sound absorbing acoustic panels fitted as standard to perforated planter design
- Environmentally sustainable waterproof ABS full depth safety liner as standard
- Unique top tray with folding tabs to assist in retaining fill. Can also be inverted for use without any fill
- GECA certified

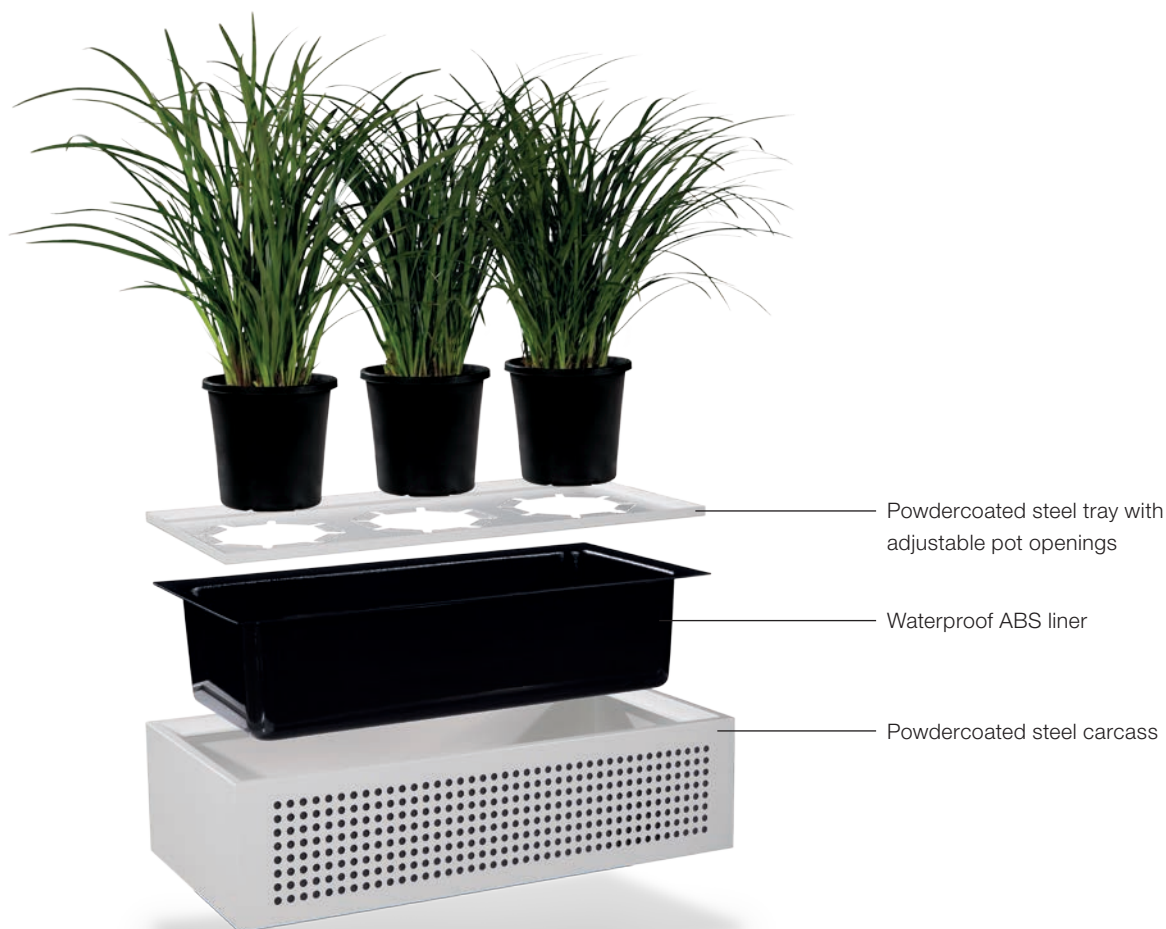
Technical specifications

Accessory Type	Height	Width	Depth	Number of 200mm Pots	Colour	Code	S/MTO
Plain	230mm	900mm	460mm	3 x 200mm	WS	176912	S
Plain	230mm	1050mm	460mm	3 x 200mm	WS	176911	S
Plain	230mm	1200mm	460mm	4 x 200mm	WS	176910	S
Plain	230mm	1600mm	460mm	5 x 200mm	WS	176936	MTO
Plain	230mm	1800mm	460mm	6 x 200mm	WS	176937	S
Plain	230mm	2000mm	460mm	6 x 200mm	WS	176938	MTO
Perforated	230mm	900mm	460mm	3 x 200mm	WS	176919	S
Perforated	230mm	1050mm	460mm	3 x 200mm	WS	176923	S
Perforated	230mm	1200mm	460mm	4 x 200mm	WS	176918	S
Perforated	230mm	1600mm	460mm	5 x 200mm	WS	176940	MTO
Perforated	230mm	1800mm	460mm	6 x 200mm	WS	176941	S
Perforated	230mm	2000mm	460mm	6 x 200mm	WS	176942	MTO

Key: - WS: White Satin, S: Stocked, MTO: Made To Order.

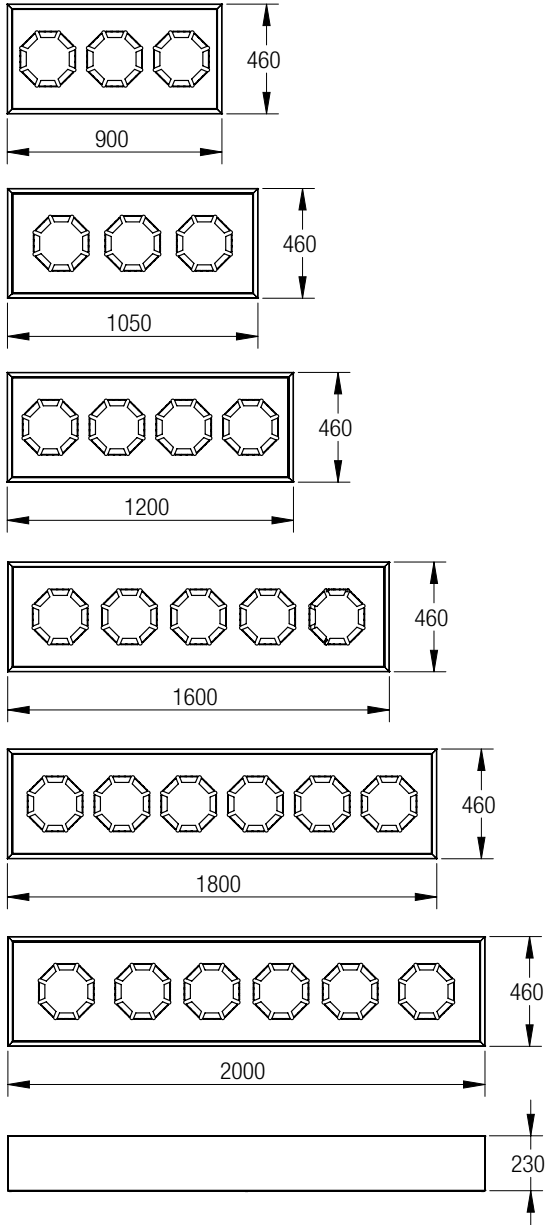
Component details

Strata 2 Planters are comprised of the following components:



Planter sizes

Strata 2 Planters are supplied as a complete assembled unit. The diagram below denotes the number of pots each planter size can accommodate.



Planter integration

Strata 2 Planter boxes are designed specifically for integration with the Strata 2 cabinet range. Planter boxes and cabinets are designed to align with standard heights in the cabinet range producing clean, consistent lines.

Please note: the recommended maximum height combination should not exceed 1430mm. The maximum height is achieved by using a 1200mm high cabinet with a standard 230mm planter box. Planter boxes accept 200mm diameter pots.

